

## AVerCaster HEVC RS9260

4K HEVC HDMI Encoder



### Highlights

- High Flexibility of Input Signals
  - Max. 1 x 4K HDMI 2.0 signal inputs supported
- High-Quality Encoding Capability
  - HEVC, H.264, AAC and MP3 video and audio codecs supported
- Intuitive user interface
  - Visualized WebUI for capture devices to handle signal inputs
- Cost-effective solution for OTT and VoD services
  - Single source to be encoded to multi-screen streams
- Proven Platform Resiliency
  - 2U rack-mounted server with Intel® Xeon® E5-2690 V3 Processor
  - Redundancy for power and Ethernet requirements

AVerCaster HEVC RS9260 is a video capturing, encoding and streaming solution for OTT and IPTV industries. It not only broadcasts live TV programs and 4K video to massive audience over LAN and WLAN, but also provides the bit rate configuration, resolution configuration, and various encoding options to optimize the viewing quality for different commercial applications. By supporting FLASH, Apple HLS and 3GPP, AVerCaster HEVC RS9260 can reach rich audience on computers and most 3G mobile devices, such as tablets and smartphones.

To enhance managerial convenience as a head-end device, AVerMedia has developed intuitive management webpage with remote monitor functions for system integrators. With high video quality, high extendibility, and high durability under long-term video broadcasting, AVerCaster HEVC RS9260 helps OTT and IPTV companies to reduce the managerial cost and get one step ahead for the blooming TV and video business opportunities.

### Single Source to Multiple Streams

- Supports single source to be encoded to multiple output streams for various client devices
- Compatible with standard video streaming protocols for OTT and IPTV applications

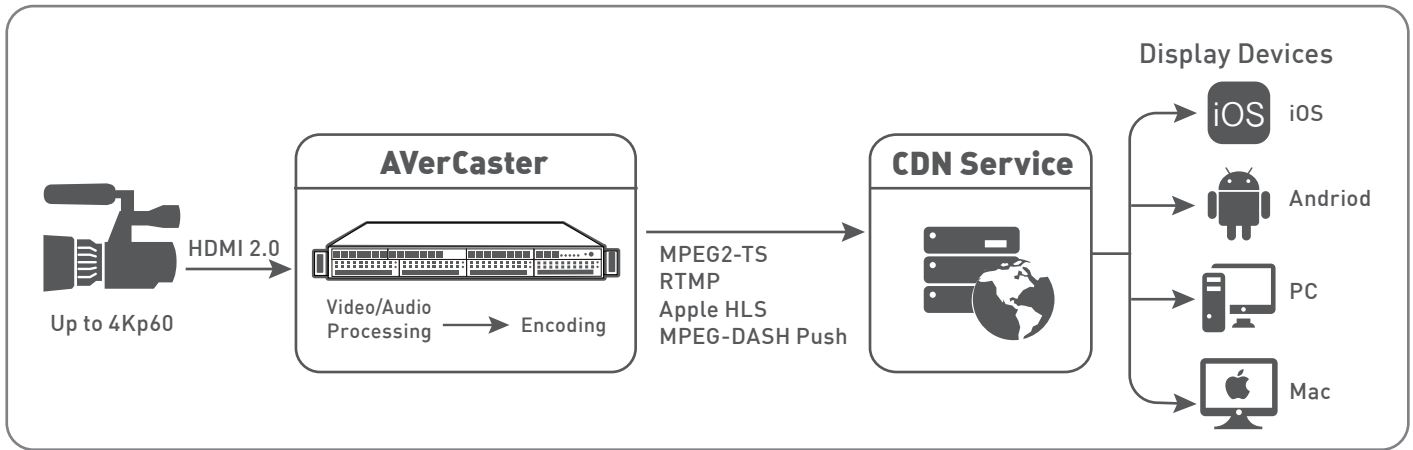
### High Quality Encoding

- Capable of encoding video in HEVC, H.264 and MPEG-2, the major formats for OTT and IPTV industries
- Allows customized configurations to meet varying requirements
- HEVC, H.264 / AAC, H.264 / MP3, MPEG-2, H.263 / AMR, AAC and MP3 video and audio codecs
- Integrates H.264 and Flash formats, allowing end users to watch high quality video over the web

### Proven Resilient Technology

- Built-in web-based server for cross-platform remote control
- AVerMedia's capture expertise and quality technical support ensures reliable streaming even over extended periods of time

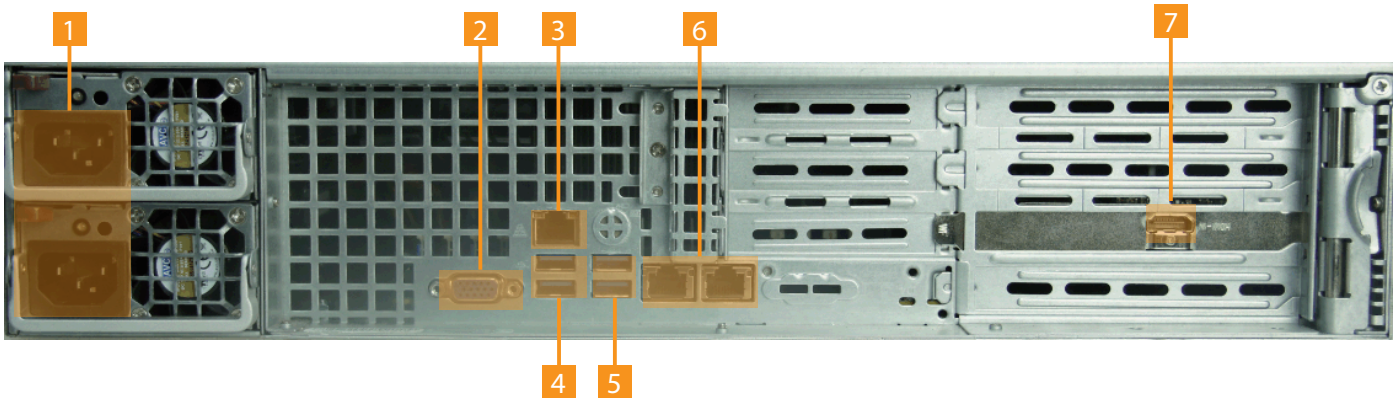
## Workflow



## Platform Specification

Input Signal	Input Interface	HDMI
	Max. Input Channels	1-Channel 4K / HDMI
System	Operating System	Windows® 8 Embedded
	Processor	Dual Intel® Xeon® E5-2690 V3 (30M Cache, 2.60 GHz, 9.6 GT/s Intel® QPI)
	Memory	32G DDR4 2133
	HDD	500 GB above
	Ethernet Controller	Intel® i350 Dual port GbE LAN
Physical	Dimensions (W x H x D)	437 x 89 x 648 mm / 17.2" x 3.5" x 25.5"
	Weight	23.7 kg / 52.3 lbs.
Power	Voltage	100V-240V AC, 60-50 Hz, 9-3.5
	Power Consumption	Redundant Power 750 W
Environment	Operating Temperature	10°C ~ 35°C (50°F ~ 95°F)
	Storage Temperature	-40°C ~ 70°C (-40°F ~ 158°F)
	Humidity Tolerance	5% ~ 95% @ 40°C (Non-condensing)

## Appearance



- |         |           |            |        |
|---------|-----------|------------|--------|
| 1 Power | 3 IPMI    | 5 USB 3.0  | 7 HDMI |
| 2 VGA   | 4 USB 2.0 | 6 LAN Port |        |

## Transcoder Specifications

<b>Input Source</b>	Video Input	4Kp60, 4Ki60, 1080p60, 1080i60, 1080p50, 1080i50, 1080p30, 1080p25, 720p, 576i, 480i, auto sensing
<b>Codecs</b>	Video Codecs	HEVC/H.265 Main Profile, Main 10 Profile MPEG-4 AVC/H.264 High Profile, Main Profile, Baseline Profile MPEG-2 Main Profiles, Simple Profile
	Audio Codecs	MPEG-1 Layer II MPEG-2 AAC-LC, HE-AAC v1, HE-AAC v2
<b>Preprocessing</b>	Video Preprocessing	De-interlacing Watermark Image Cropping/Resizing Frame Rate Conversion Frame Rate Decimation BT.601/BT.709 Color Space Conversion Picture-in-Picture*
	Audio Preprocessing	Resampling Loudness Correction
	Ad Management	Insertion* Replacement* Scheduling*
<b>Video Encoding Mode</b>	Rate Control	CBR VBR ABR
	Frame Control	IDR-Frame Strategy Control
	Data Rate	HEVC: 100kps-40Mbps H.264: 10Kbps-20Mbps MPEG-2: 10Kbps-40Mbps
	GOP	Fixed Closed Adaptive
	Key Framerate	5-300
	Scene Cut Detection	Automatic
	Encode Mode	Progressive / MBAFF / CABAC / CAVLC
<b>Output Stream</b>	Output	Up to 1x 4K/UHD channel
	Resolution	3840x 2160, 1920x1080,1760x990, 1600x900, 1440x810, 1280x720, 1024x576, 864x486, 720x576, 704x576, 640x576, 544x576, 480x576, 352x576, 960x540, 852x480, 720x480, 704x480, 640x480, 544x480, 480x480, 352x480, 480x360, 640x360, 352x288, 384x288, 480x270, 320x240, 320x180, 240x160, 176x144, 128x96, 96x96, 120x90, 160x90
	IP Version	IPv4 IPv6
	Protocol	HTTP MPEG2-TS (Support TR 101 290) RTSP RTMP RTP over UDP (Unicast & Multicast) RTP over TCP (Unicast & Multicast) Apple HLS Adobe HTTP Dynamic Streaming* Microsoft Smooth Streaming* MPEG-DASH Push
<b>Redundancy</b>	Redundancy	Server / Channel / Network / Power / N+M*
<b>Alert</b>	Server	Power Redundant Alert* Network Redundant Alert*
	Channel	Channel Redundant Alert*
<b>CDN</b>	Compatibility	Akamai Wowza Amazon Web Service

\* All product specifications are subject to change without notice.

## AVerCaster Web UI



1	Broadcast List	Manage streaming status
2	Configuration	Configure video source inputs and streaming outputs
3	Encoding Profile	Preset encoding profiles for easy streaming control
4	Redundancy	Manage server redundancy and channel redundancy
5	Watermark	Overlay specific watermark on screen
6	Log	Log management
7	Administration	Account management
8	Visualized Video Inputs	Intuitive UI to manage capture interfaces
9	System Status	Monitor CPU, memory and throughput statuses